

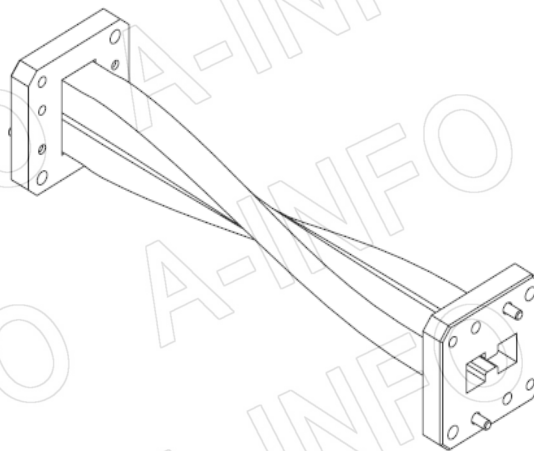
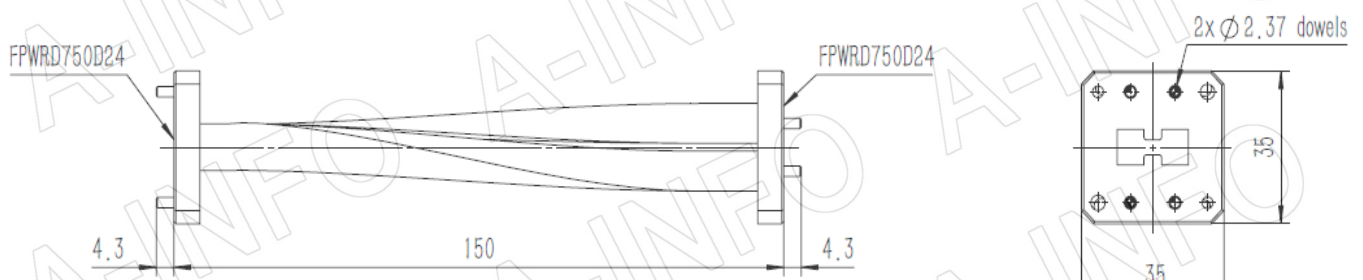
For reference only. See data sheet for the detailed specifications.

## Technical Specification

EIA WR	WRD750
Frequency Range(GHz)	7.5 – 18.0
Twist Type	Right-Handed
Twist Degree(deg)	90
Insertion Loss(dB)	0.2 Max.
VSWR	1.25:1 Max.
Flange	FPWRD750D24
Material	Cu
Size(mm)	150 x 35 x 35
Net Weight(Kg)	0.2 Around



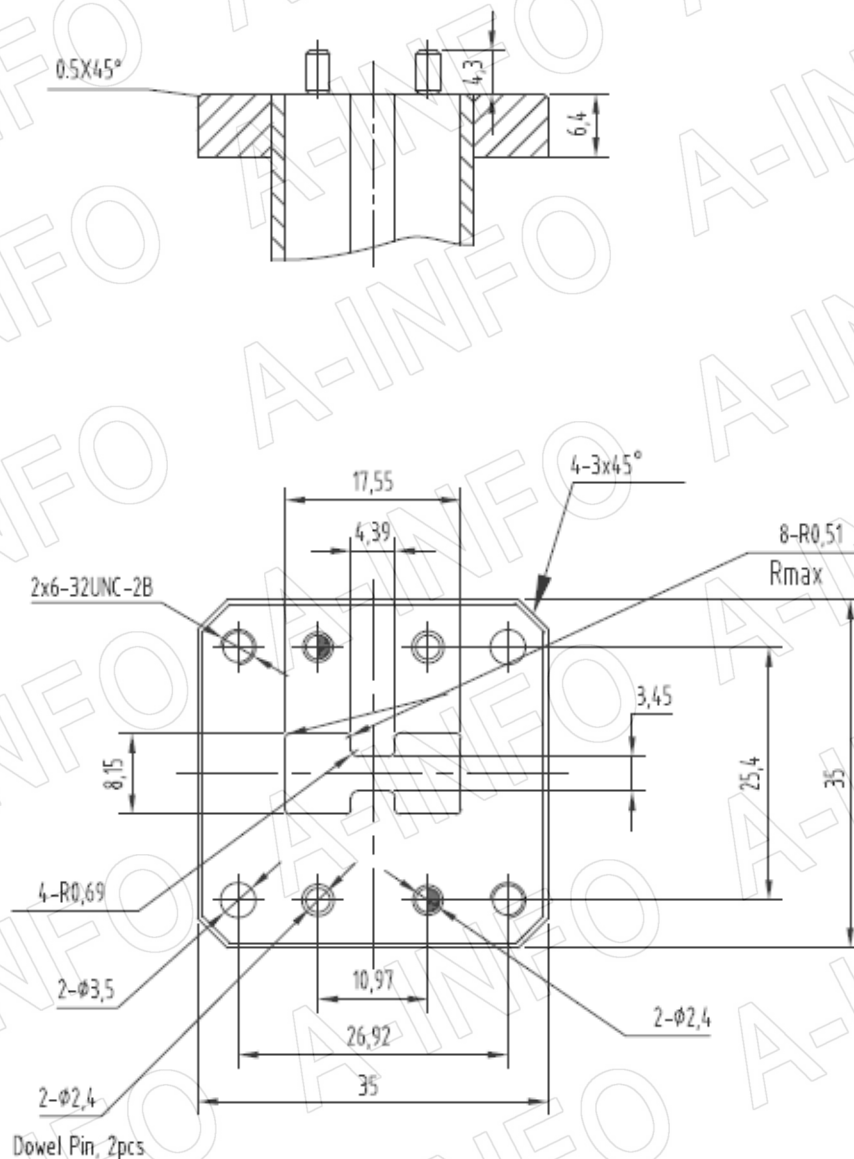
## Outline Drawing (Size: mm)



## Flange Drawing (Size: mm)

### FPWRD750D24

(With two through mounting holes  
and two screws holes)



AINFO Inc.

Page 2 of 3

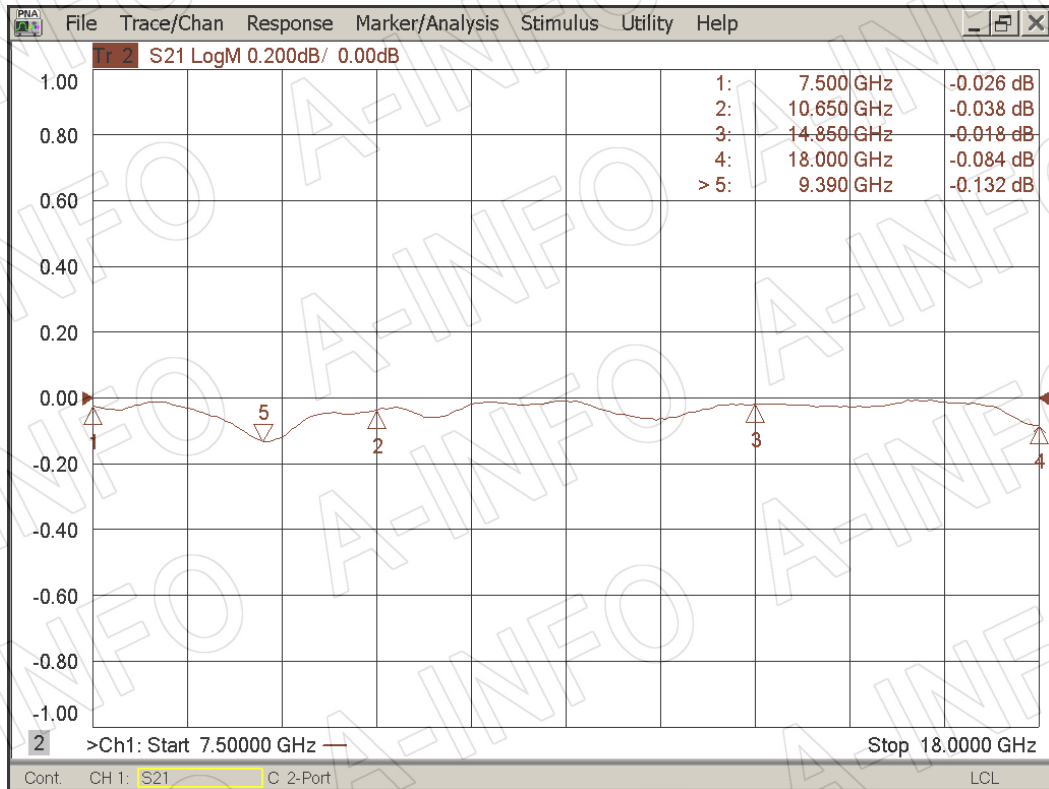
China(Beijing): Tel: (+86) 10-6266-7326,  
China(Chengdu): Tel: (+86) 28-8519-2786,  
USA: Tel: (+1) 949-639-9688,

(+86) 10-6266-7327 Fax: (+86) 10-6266-7379  
(+86) 28-8519-3044 Fax: (+86) 28-8519-3068  
(+1) 949-639-9608 Fax: (+1) 949-639-9670

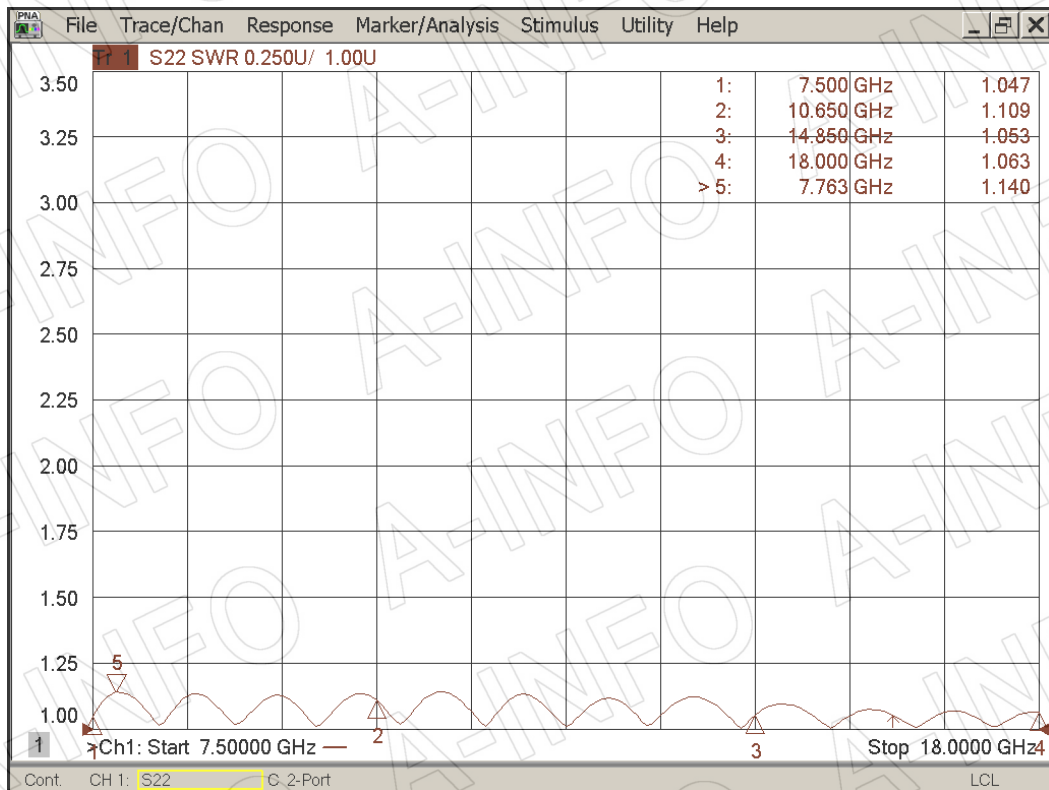
Website: [www.ainfoinc.com](http://www.ainfoinc.com)  
Email: [sales@ainfoinc.com](mailto:sales@ainfoinc.com)

## Test Results

I.L.



VSWR



AINFO Inc.

Page 3 of 3

China(Beijing): Tel: (+86) 10-6266-7326, (+86) 10-6266-7327 Fax: (+86) 10-6266-7379  
 China(Chengdu): Tel: (+86) 28-8519-2786, (+86) 28-8519-3044 Fax: (+86) 28-8519-3068  
 USA: Tel: (+1) 949-639-9688, (+1) 949-639-9608 Fax: (+1) 949-639-9670

Website: [www.ainfoinc.com](http://www.ainfoinc.com)  
 Email: [sales@ainfoinc.com](mailto:sales@ainfoinc.com)